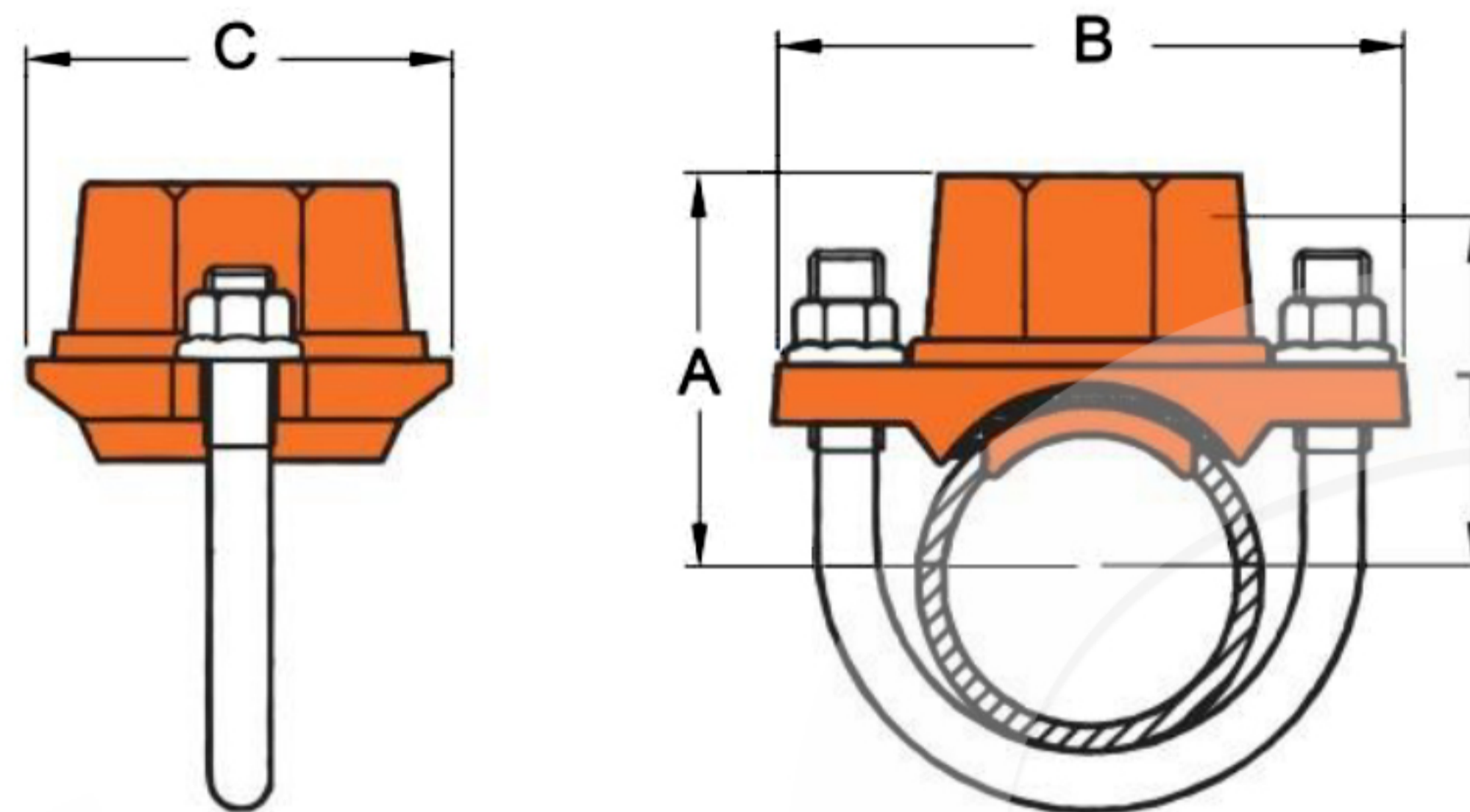


MODEL 723 SADDLE-LET (Small Mechanical Tee)

The Model 723 “Saddle-Let” small mechanical tee is the ideal outlet fitting for direct connection to sprinkler heads, drop nipples and gauges. No need for welding just cut or drill a hole at the desired outlet location, position the Saddle-Let so that the locating collar fits within the hole and fasten the U-bolt and nuts. The Model 723 Saddle-Let features a full bore flow, a uniquely designed grade “E” gasket. The Saddle-Let is supplied with a standard black finish. Optional finishes such as painted or electro-zinc plated coatings are available.



**10
YEAR
LIMITED
WARRANTY**

Full warranty terms
can be found on
www.shurjoint.com

Model 723 “Saddle-Let” Small Mechanical Tee

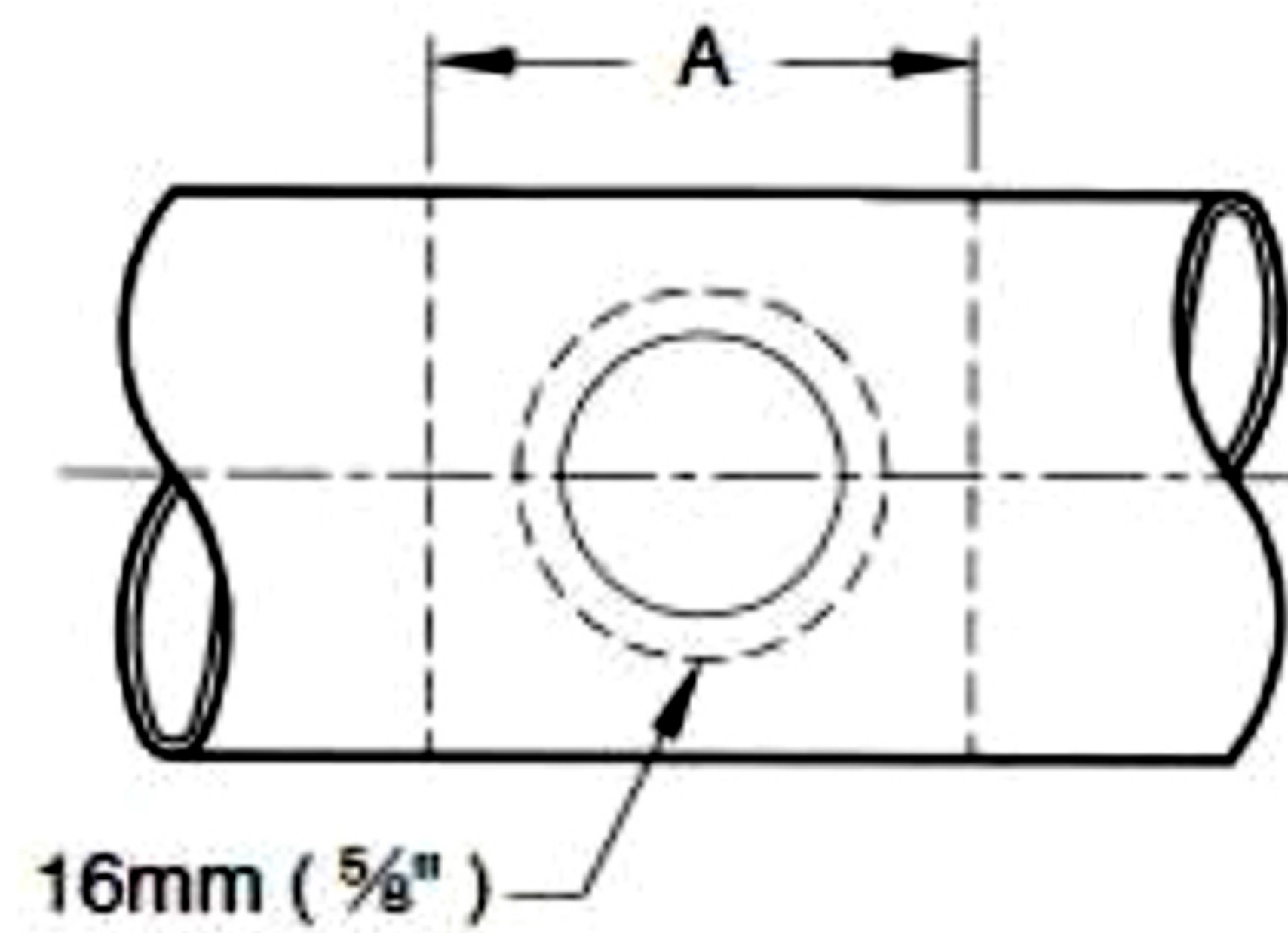
Nominal Size	Max. Working Pressure (CWP)*	Hole Dia. \mp +1.6, -0 / +0.063, -0	Dimensions			Take-Out, \mp	Bolt Size	Bolt Torque	Weight
			A	B	C				
in mm	PSI Bar	in mm	in mm	in mm	in mm	in mm	in U-Bolt	Lbs-Ft Nm	Lbs Kgs
1¼ x ½ 32 x 15	300 20	1.18 30	1.97 50.0	3.50 89.0	2.20 56.0	1.73 44.0	¾" U-Bolt	15-22 20-30	0.9 0.4
1¼ x ¾ 32 x 20	300 20	1.18 30	1.97 50.0	3.50 89.0	2.20 56.0	1.73 44.0	¾" U-Bolt	15-22 20-30	0.9 0.4
1¼ x 1 32 x 25	300 20	1.18 30	2.13 54.0	3.50 89.0	2.20 56.0	1.85 47.0	¾" U-Bolt	15-22 20-30	0.9 0.4
1½ x ½ 40 x 15	300 20	1.18 30	2.09 53.0	3.50 89.0	2.24 57.0	1.81 46.0	¾" U-Bolt	15-22 20-30	0.9 0.4
1½ x ¾ 40 x 20	300 20	1.18 30	2.09 53.0	3.50 89.0	2.24 57.0	1.81 46.0	¾" U-Bolt	15-22 20-30	0.9 0.4
1½ x 1 40 x 25	300 20	1.18 30	2.28 58.0	3.50 89.0	2.24 57.0	1.93 49.0	¾" U-Bolt	15-22 20-30	0.9 0.4
2 x ½ 50 x 15	300 20	1.18 30	2.36 60.0	3.82 97.0	2.24 57.0	2.09 53.0	¾" U-Bolt	15-22 20-30	0.9 0.4
2 x ¾ 50 x 20	300 20	1.18 30	2.36 60.0	3.82 97.0	2.24 57.0	2.09 53.0	¾" U-Bolt	15-22 20-30	0.9 0.4
2 x 1 50 x 25	300 20	1.18 30	2.52 64.0	3.82 97.0	2.24 57.0	2.20 56.0	¾" U-Bolt	15-22 20-30	0.9 0.4
2½ x ½ 65 x 15	300 20	1.18 30	2.60 66.0	4.37 111.0	2.24 57.0	2.28 58.0	¾" U-Bolt	15-22 20-30	0.9 0.4
2½ x ¾ 65 x 20	300 20	1.18 30	2.60 66.0	4.37 111.0	2.24 57.0	2.28 58.0	¾" U-Bolt	15-22 20-30	0.9 0.4
2½ x 1 65 x 25	300 20	1.18 30	2.76 70.0	4.37 111.0	2.24 57.0	2.40 61.0	¾" U-Bolt	15-22 20-30	1.1 0.5

1. \mp Hole diameters listed are suggested hole saw diameters.
2. \mp T: Take-out (Center of run to end of pipe to be engaged)
3. * Working Pressure is based on standard wall carbon steel pipe.



Hole Cutting

The method of pipe preparation requires the cutting or drilling of a specified hole size on the centerline of the pipe. Always use the correct hole saw size as shown in the table. After the hole has been cut all rough edges must be removed and the area within $\frac{5}{8}$ " (16 mm) of the hole should be inspected to ensure a clean smooth surface, free of any indentations or projections that could affect proper gasket sealing.



Flow Data – C_v Values

Values for flow of water at +60°F (+16°C).

$$C_v = \frac{Q}{\sqrt{\Delta P}}$$

Where: C_v = Flow coefficient
Q = Flow (GPM)
ΔP = Pressure drop (psi)

Flow Characteristics

MATERIAL SPECIFICATIONS

• Housing:

Ductile Iron to ASTM A536, Gr. 65-45-12 and or ASTM A395, Gr. 65-45-15, min. tensile strength 65,000 psi (448 MPa).

• Surface Finish:

Black (bare metal) with thin rust-proof oil.

- (Option) Orange color painted or red RAL3000 color painted
- (Option) Electro-zinc plated coating
- (Option) Hot dip galvanized
- (Option) Epoxy coated in red RAL3000 or other colors

• Rubber Gasket:

Grade "E" EPDM (Color code: Green stripe) Good for cold & hot water up to +230°F (+110°C). Also good for services for water with acid, water with chlorine or chloramines, deionized water, seawater and waste water, dilute acids, oil-free air and many chemicals.

Not recommended for petroleum oils, minerals oils, solvents and aromatic hydrocarbons.

Maximum Temperature Range: -30°F (-34°C) to +230°F (+110°C)*.

Hole Sizes for Saddle-let

723

unit: in/mm

Saddle-Let Branch Size	Hole Dimensions		Surface Preparation "A"
	Hole Saw Size	Max dia. Allowed	
$\frac{1}{2}$, $\frac{3}{4}$, 1 15, 20, 25	1-3/16 30	1 $\frac{1}{4}$ 32	3 $\frac{1}{2}$ 89

Model 723 "Saddle-Let" C _v Value	
Nominal Size in / mm	C _v Values
$\frac{1}{2}$ 15	10
$\frac{3}{4}$ 20	15
1 25	22

Model 723 "Saddle-Let" Flow Characteristics	
Nominal Size in / mm	Equivalent Length of pipe feet / meter
$\frac{1}{2}$ 15	3 0.9
$\frac{3}{4}$ 20	5 1.5
1 25	8.0 2.4

*EPDM gaskets for water services are not recommended for steam services unless couplings or components are accessible for frequent gasket replacement.

- (Option) **Grade "T" Nitrile** (Color code: Orange stripe) Recommended for petroleum products, air with oil vapors, vegetable and mineral oils within the specified temperature range. Also good for water services under +150°F (+66°C).

Temperature range: -20° F to +180° F (-29° C to +82° C).

Do not use for HOT WATER above +150° F (+66° C) or HOT DRY AIR above +140° F (+60° C)

- Other options: Grade "O" Fluoroelastomer.
Grade "L" Silicone.
For additional details contact **Shurjoint**.

• U-Bolt & Nuts:

Plated U-bolt conforming to ASTM A307 with hex nuts to ASTM A563.

General Notes:

- **Maximum Working Pressure (CWP)** listed is the maximum cold water pressure for general piping services tested to ASTM F1476 and or AWWA C606 methods. Figures listed are based standard wall carbon steel pipe. For other pipe schedules or pipe materials, contact **Shurjoint** for additional information.
- **Listed and or Approved Pressures** are pressure ratings for fire protection systems, tested and approved by various approval bodies. Please always refer to the latest approval data posted on the **Shurjoint** website.
- **Field Joint Test:** For one time only the system may be tested hydrostatically at 1½ times the maximum working pressure listed (AWWA C606 5.2.3).
- **Warning:** Piping systems must always be depressurized and drained before attempting disassembly and or removal of any components.
- **The 10 Year Limited Warranty** applies to manufacturing defects only and does not cover severe service/temperature applications or wear parts.
- **Shurjoint** reserves the right to change specifications, designs and or standard without notice and without incurring any obligations.

*Shurjoint product specifications in U.S. customary units and metric are approximate and are provided for reference only. For precise measurements, please contact **Shurjoint** Technical Service. **Shurjoint** reserves the right to change or modify product design, construction, specifications, or materials without prior notice and without incurring any obligations to make such changes and modifications on **Shurjoint** products previously subsequently sold.*